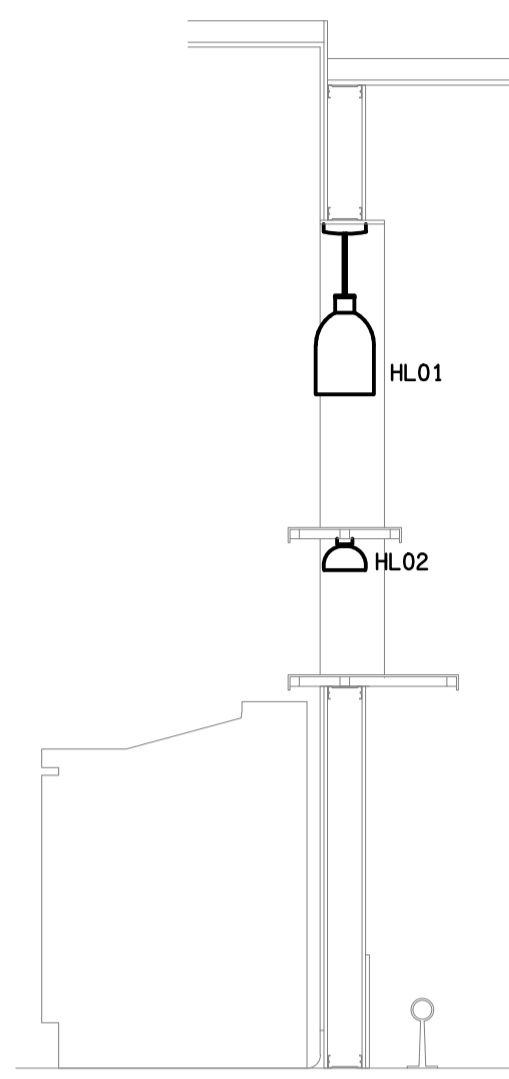
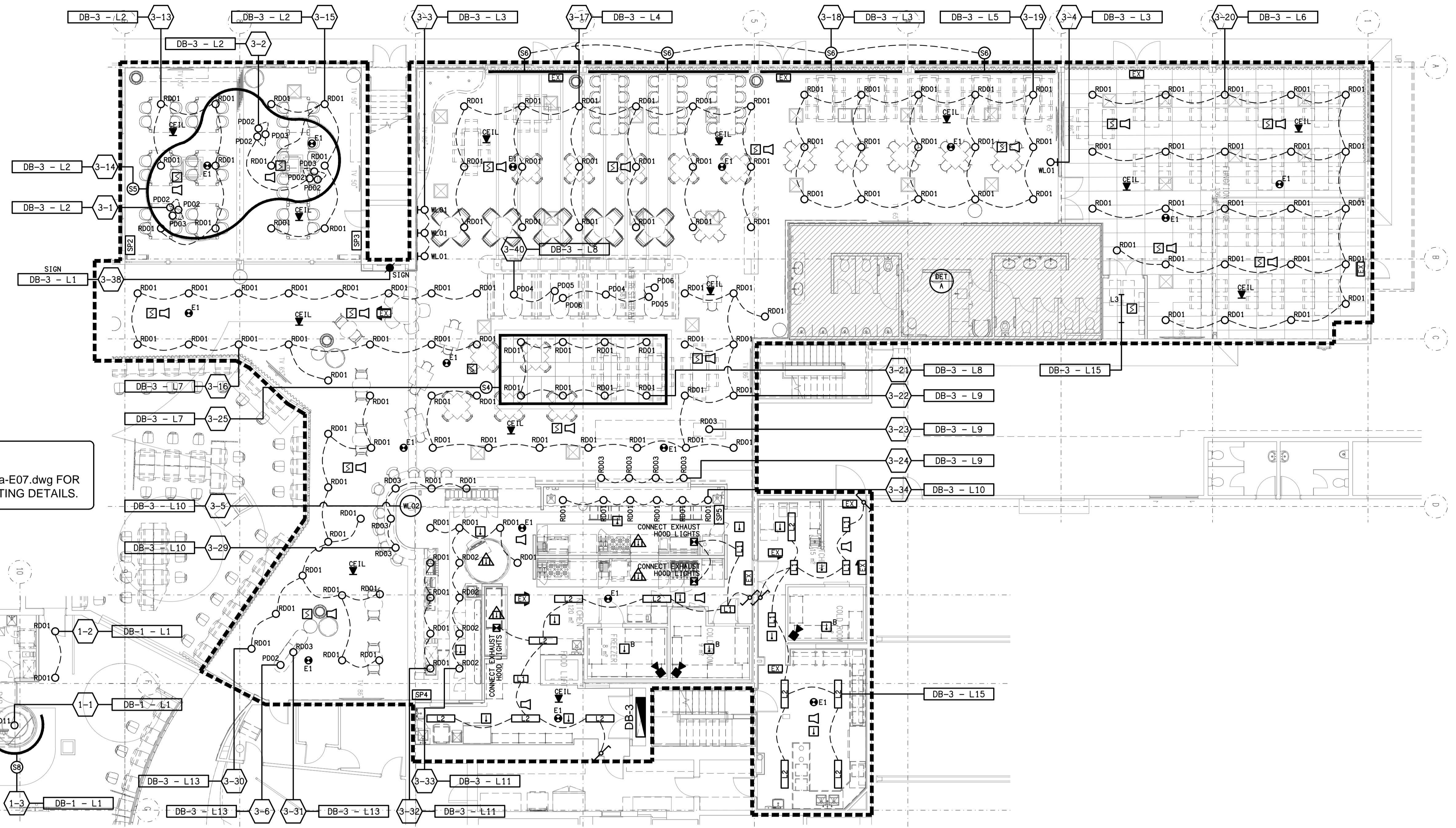


DETAIL D
SERVERY HEAT LAMP PLAN
SCALE 1:100

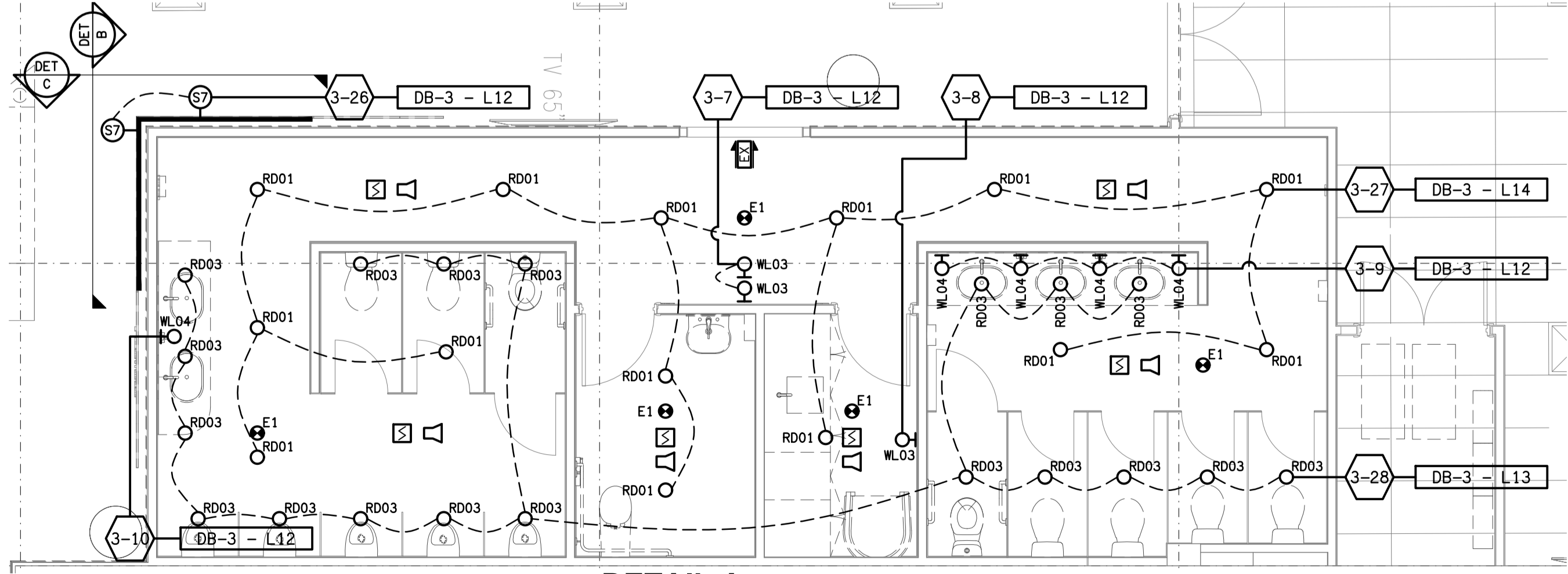


DETAIL E
SERVERY HEAT LAMP SECTION
SCALE 1:20

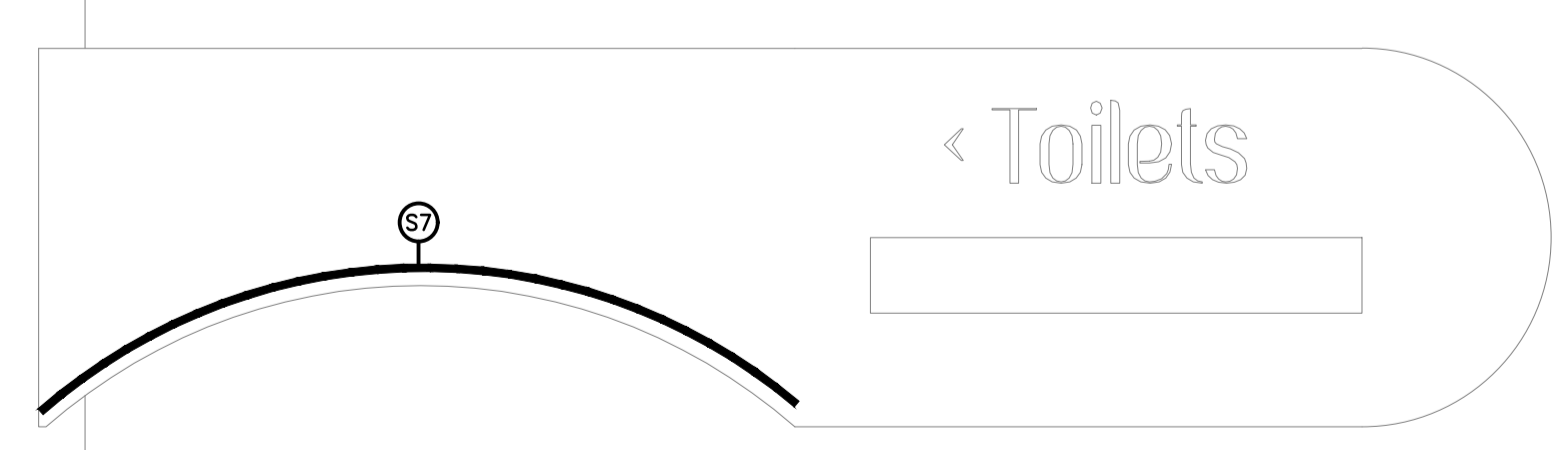
NOTE:
REFER TO DRAWING C3204a-E07.dwg FOR
ADDITIONAL JOINERY LIGHTING DETAILS.



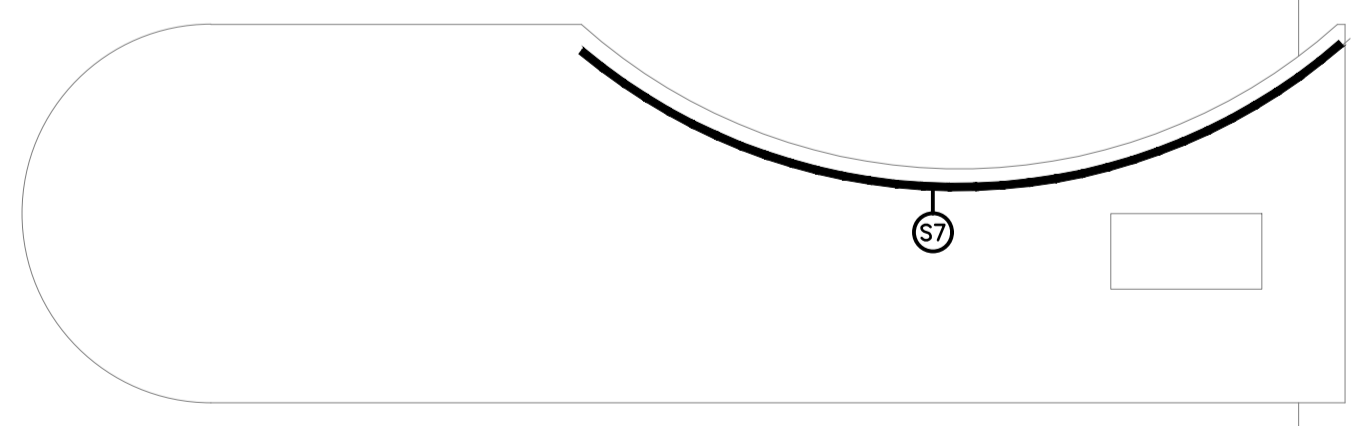
REFLECTED CEILING PLAN
REFURBISHMENT
SCALE 1:100



DETAIL A
AMENITIES REFLECTED CEILING PLAN
SCALE 1:50



DETAIL B
AMENITIES FEATURE LIGHT
SCALE 1:20



DETAIL C
AMENITIES FEATURE LIGHT
SCALE 1:20

ELECTRICAL DESIGN GROUP BRISBANE
PTY LTD
ACN 092 710 793
TRADING AS:
ELECTRICAL DESIGN GROUP

THE COPYRIGHT OF THIS DRAWING
REMAINS THE PROPERTY OF THE
ELECTRICAL DESIGN GROUP.
USE FIGURED DIMENSIONS
IN PREFERENCE TO SCALE.
ALL DIMENSIONS TO BE
VERIFIED ONSITE.

ELECTRICAL DESIGN GROUP
ELECTRICAL BUILDING SERVICES CONSULTANTS
BRISBANE GOLD COAST
P.O. Box 15, Sherwood Q.4075
Phone: (07) 3278 4375
Email: brisbane@edg.net.au
Web: www.edg.net.au

PROJECT:
**REDLANDS SPORTING CLUB
REFURBISHMENT**
ANSON ROAD, WELLINGTON POINT, QUEENSLAND

C	TENDER	15/05/2024
REV.	DESCRIPTION:	DATE:
DRAWING: ELECTRICAL SERVICES REFLECTED CEILING PLAN		
SCALE: 1:100 & 1:50	PROJECT NO: C3204a	DRAWING NO: E06
AT A1	REVISION: C	